




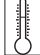
Mounting and operating instruction

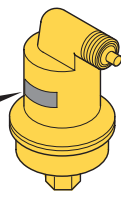
For article no's starting with AB, except for ABS



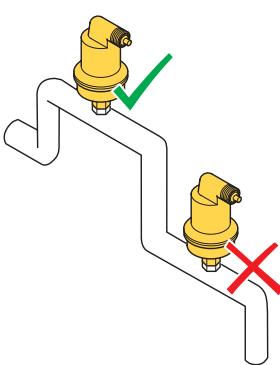
17.656-03

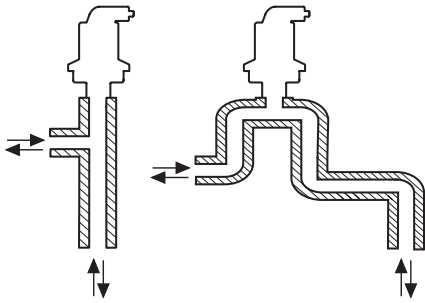
 




 0- ... bar
 0- ... °C




Acc.PED (97/23/EC§3.3)

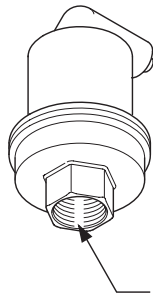






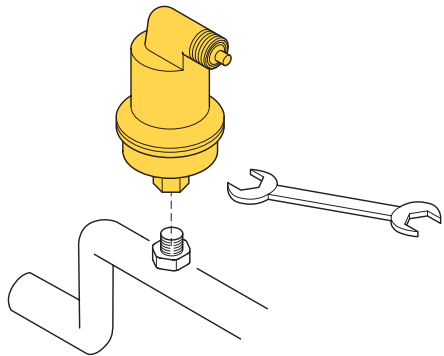
< 50% glycol





 Rp 1/2


  0 bar


max 2°





 0 bar

 Pmax = 1,5 x ... bar

 0 bar

